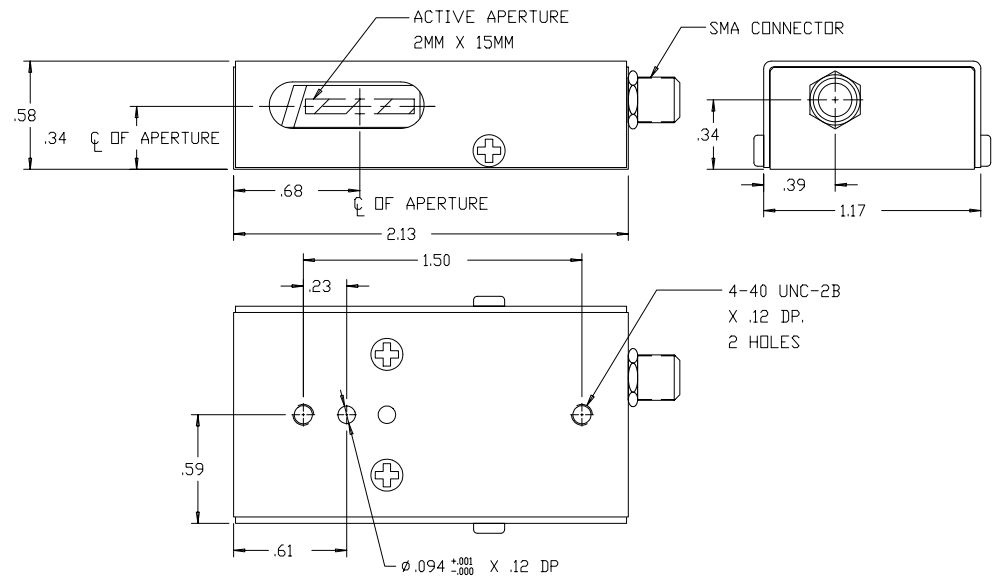


SPECIFICATIONS

AO Medium	TeO ₂
Acoustic Mode	Shear, Off Axis
Acoustic Velocity	0.656 mm/μs
Wavelength	488 - 633 nm
Input Polarization	0° to Mounting Plane
Output Polarization	90° to Mounting Plane
Insertion Loss	4%
Center Frequency (Fc)	80 MHz
RF Bandwidth	50 MHz
RF Power	1.0 Watt
Active Aperture	2.0 mm 'H' X 15 mm 'L'
Average Diffraction Efficiency	80%
Flatness Across Bandwidth	24%
Min Diffraction Efficiency	68%
Peak Valley at 633 nm	<0.250
RMS at 633 nm	N/A
VSWR	2.2:1
Scan Angle	37.2 mrad @ 488 nm
Time Bandwidth	1000

OUTLINE DRAWING



Notes:

1. Input impedance is 50 Ohms.
2. Time aperture is 20 μs.

For Reference Only

THIS DOCUMENT IS THE PROPERTY OF CRYSTAL TECHNOLOGY, INC. IT IS NOT TO BE REPRODUCED OR DISCLOSED IN WHOLE OR IN PART OTHER THAN BY EMPLOYEES OF CRYSTAL TECHNOLOGY AND ITS CONTRACTED REPRESENTATIVES AND DISTRIBUTERS. ANY EXCEPTION REQUIRES THE WRITTEN CONSENT OF AN AUTHORIZED REPRESENTATIVE OF CRYSTAL TECHNOLOGY.

TOLERANCES: .XX ± .01 ± .XXX .005	DR	A. Campi 4/29/2002	Crystal Technology, Inc.
MATERIAL:	CHK		
FINISH:	APP		PART NUMBER:
	APP		REV:
			SHEET 1 OF 1