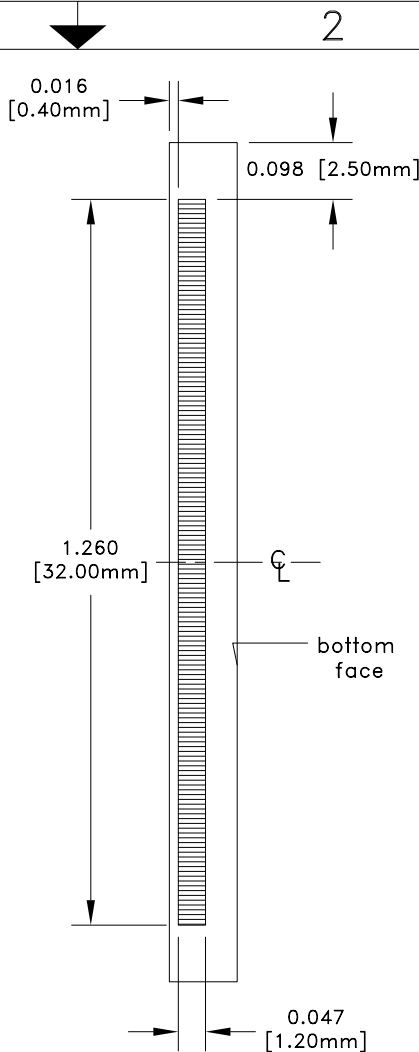
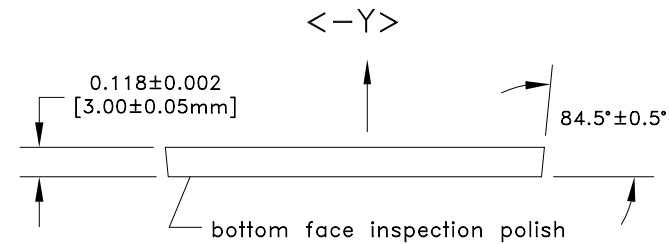


Top View



Window View 3:1



Front View

Notes:

1.0 Orientations

- 1.1 Surface normal to <Y> $\pm 15^\circ$
- 1.2 Surface normal to <Z> $\pm 30^\circ$
- 1.3 Wedge on <X> faces $5.5^\circ \pm 0.5^\circ$

2.0 Edges


- 2.1 Polish bevels to 0.010" on all edges.
- 2.2 All chipping on edges must be outside the clear aperture.

3.0 Surfaces

- 3.1 <Z> faces "as-cut".
- 3.2 <+Y> face inspection polish. Visible pits and scratches permitted.
- 3.3 Top Surface: <-Y> face
Minimum clear aperture 10-5 per drawing. No defects permitted in clear aperture when inspected with a high-intensity lamp and unaided eye.
- 3.4 Windows: <X> faces
Minimum clear aperture 10-5 per drawing. No defects permitted in clear aperture when inspected with a high-intensity lamp and unaided eye.

For Reference Only

THIS DOCUMENT IS THE PROPERTY OF CRYSTAL TECHNOLOGY INC. IT IS NOT TO BE REPRODUCED OR DISCLOSED IN WHOLE OR IN PART OTHER THAN BY EMPLOYEES OF CRYSTAL TECHNOLOGY AND ITS CONTRACTED REPRESENTATIVES AND DISTRIBUTORS. ANY EXCEPTION REQUIRES THE WRITTEN CONSENT OF AN AUTHORIZED REPRESENTATIVE OF CRYSTAL TECHNOLOGY.

| | | | | | |
|--|-----------------|----------------------|---------|----------|---|
| Material: Lithium Niobate | | DR. | Igordon | 05-24-04 |  Crystal Technology, Inc. An EPCOS Company |
| Unless otherwise specified, dimensions in inches | | CHK. | | | |
| Tolerances | | APPD. | | | |
| Inches | Millimeters | Wafer Code: | | | Title: LNMG 5.5% 1.5(Z)x1.5(X)x.2"(Y) 5.5° windows, no AR coating |
| .X \pm 0.1 | X \pm 0.5 | Customer Approval: | | | Size: A |
| .XX \pm 0.01 | .X \pm 0.25 | | | | Dwg. No: 97-02266-14 |
| .XXX \pm 0.005 | .XX \pm 0.1 | | | | Rev: 0 |
| .XXX \pm 0.0020 | .XXX \pm 0.05 | | | | Scale: 1.3:1 |
| Angles \pm 0.5° | | DO NOT SCALE DRAWING | | | Sheet 1 of 1 |